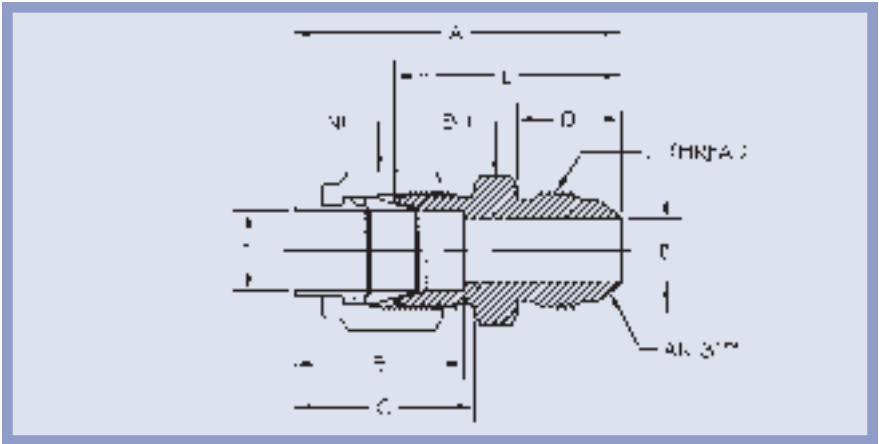


**UNION**



PART NUMBER	T TUBE O.D.	A	B	C	D	E THRU HOLE	L	NH NUT HEX	BH BODY HEX
1-1U-1	1/16	1.468	.609	.670	.344	.052	.813	3/8	5/16
2-1U-2	1/8	1.718	.640	.765	.375	.094	.937	7/16	7/16
3-1U-3	3/16	1.781	.703	.765	.375	.125	.937	1/2	7/16
4-1U-4	1/4	2.031	.796	.906	.422	.187	1.062	9/16	1/2
5-1U-5	5/16	2.031	.796	.906	.453	.250	1.125	5/8	9/16
6-1U-6	3/8	2.312	.937	1.015	.453	.281	1.187	11/16	5/8
8-1U-8	1/2	2.562	1.140	1.140	.500	.406	1.281	7/8	13/16
10-1U-10	5/8	2.750	1.203	1.217	.575	.500	1.462	1	15/16
12-1U-12	3/4	3.062	1.250	1.343	.660	.625	1.695	1-1/4	1-1/8
14-1U-14	7/8	3.343	1.453	1.484	.660	.718	1.695	1-3/8	1-1/4
16-1U-16	1	3.406	1.515	1.484	.660	.875	1.757	1-1/2	1-3/8



**TUBE TO AN FLARE UNION**

PART NUMBER	T TUBE O.D.	J THREAD	A	B	C	D	E THRU HOLE	L	NH NUT HEX	BH BODY HEX
2-1UANF-2	1/8	5/16-24	1.406	.640	.765	.448	.062	1.015	7/16	3/8
2-1UANF-4	1/8	7/16-20	1.593	.640	.765	.550	.094	1.206	7/16	1/2
3-1UANF-3	3/16	3/8-24	1.468	.703	.796	.479	.125	1.047	1/2	7/16
4-1UANF-4	1/4	7/16-20	1.671	.796	.906	.550	.172	1.187	9/16	1/2
5-1UANF-5	5/16	1/2-20	1.671	.796	.906	.550	.234	1.218	5/8	9/16
6-1UANF-4	3/8	7/16-20	1.843	.937	1.015	.550	.172	1.284	11/16	5/8
6-1UANF-6	3/8	9/16-18	1.843	.937	1.015	.556	.297	1.281	11/16	5/8
8-1UANF-8	1/2	3/4-16	2.078	1.140	1.140	.657	.391	1.437	7/8	13/16
10-1UANF-10	5/8	7/8-14	2.234	1.203	1.217	.758	.484	1.594	1	15/16
12-1UANF-12	3/4	1-1/16-12	2.578	1.250	1.343	.864	.609	1.899	1-1/4	1-1/8
16-1UANF-16	1	1-5/16-12	2.828	1.515	1.484	.911	.844	2.000	1-1/2	1-3/8

\*NOTE: All dimensions subject to change, to be used for reference only.